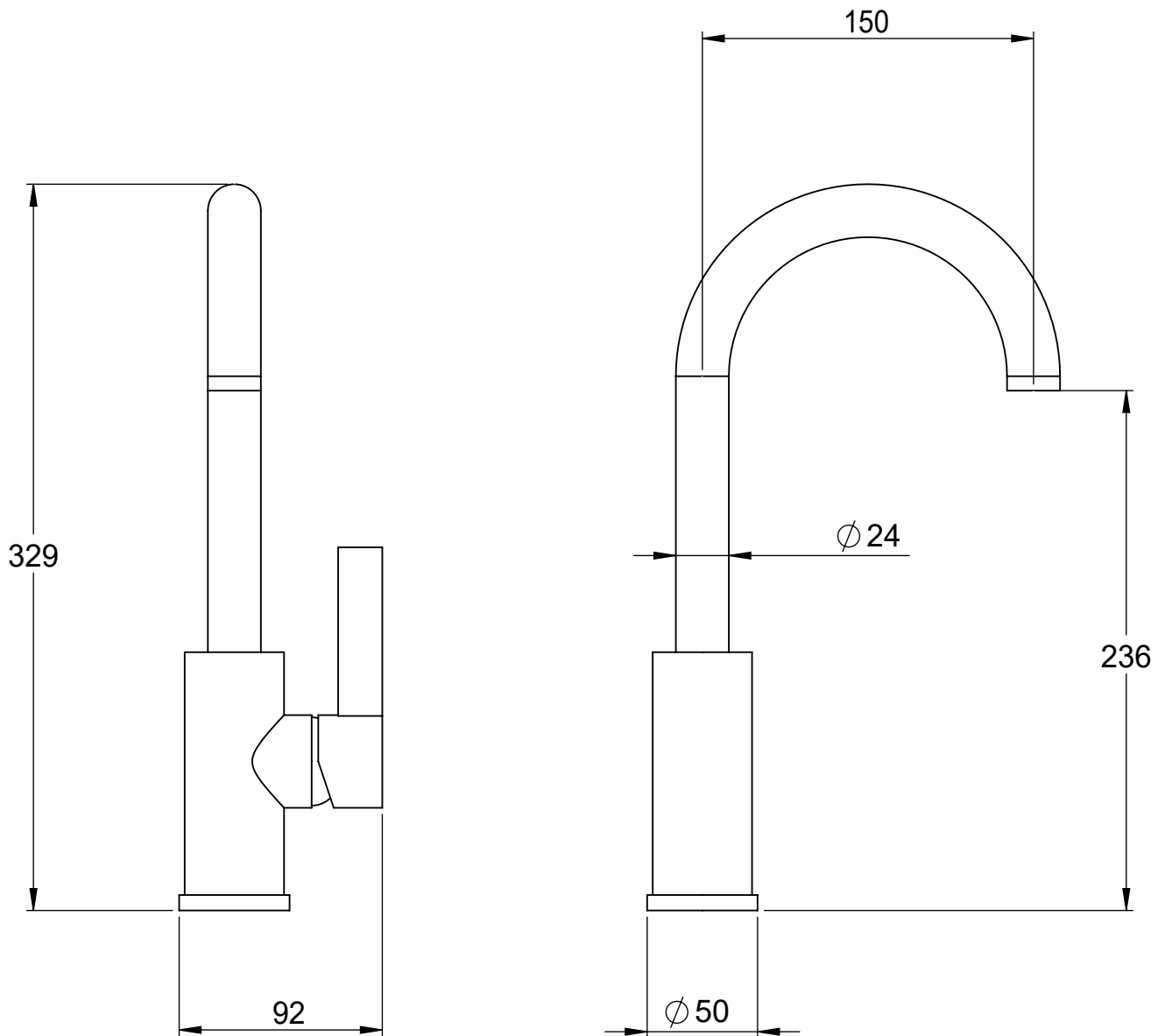


# Tapwell

## ARM078-Drawing



Hole Dimension:  $\phi 35$

Connection: G 3/8"